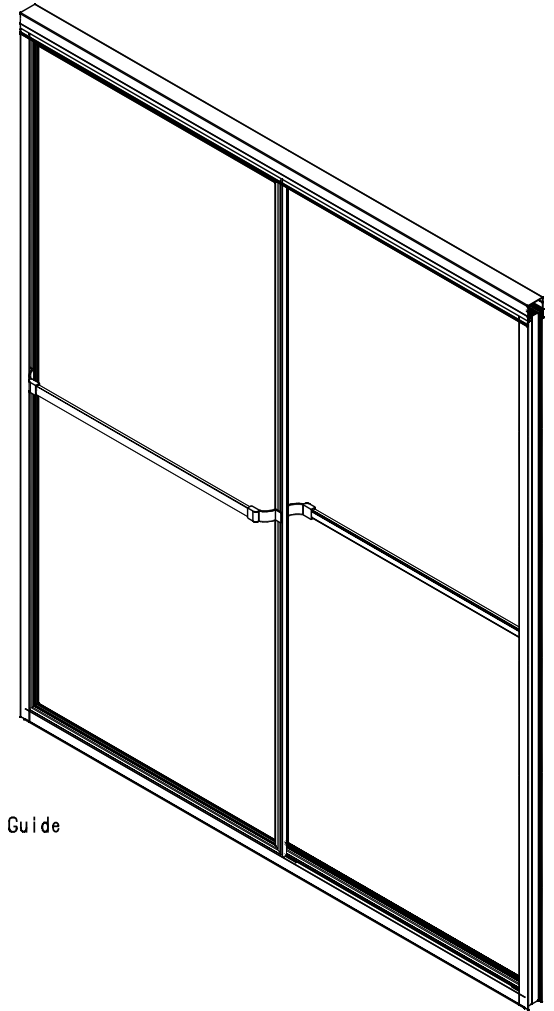
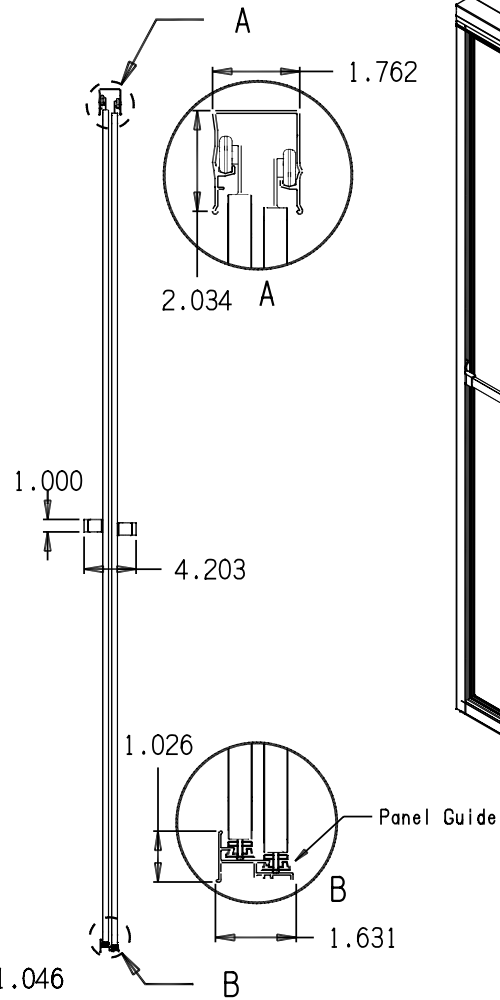
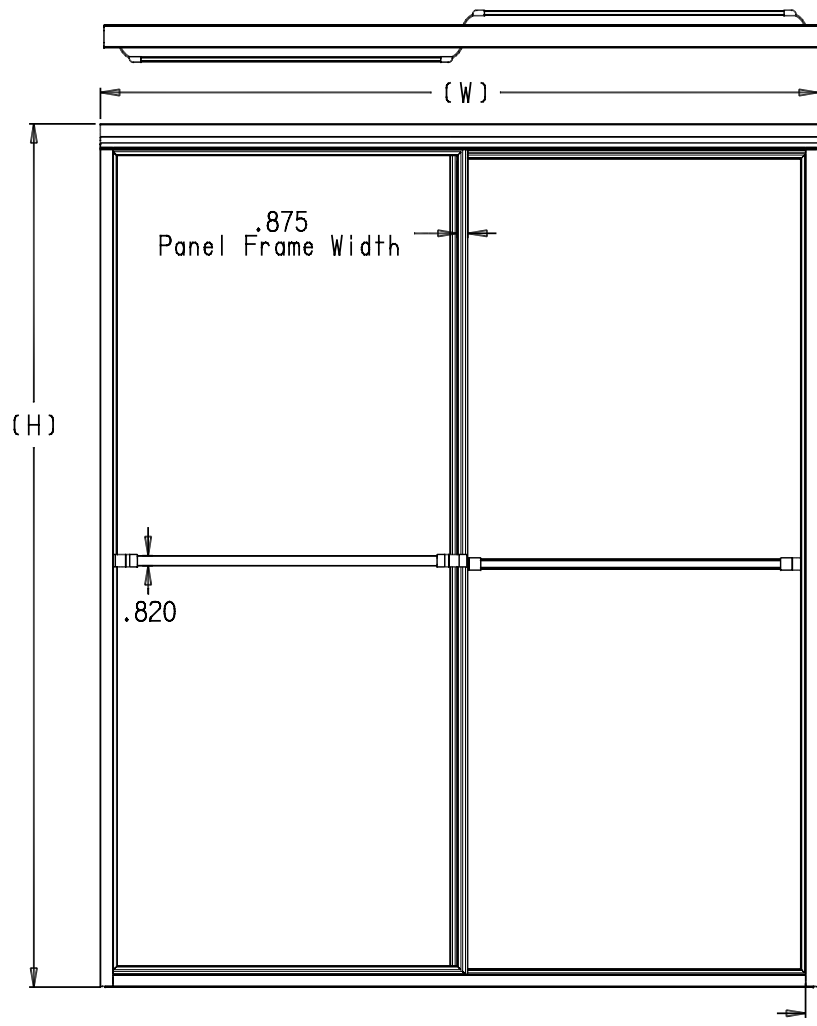


Classic Bypass



Basic Construction:  
Aluminum Frame & Tempered Glass

JOB NAME / LOCATION :

COLOR :

Width(W)=

QUANTITY :

Height(H)=

APPROVED BY : \_\_\_\_\_

DATE : \_\_\_\_\_

 **Southeastern Aluminum Products, Inc.**