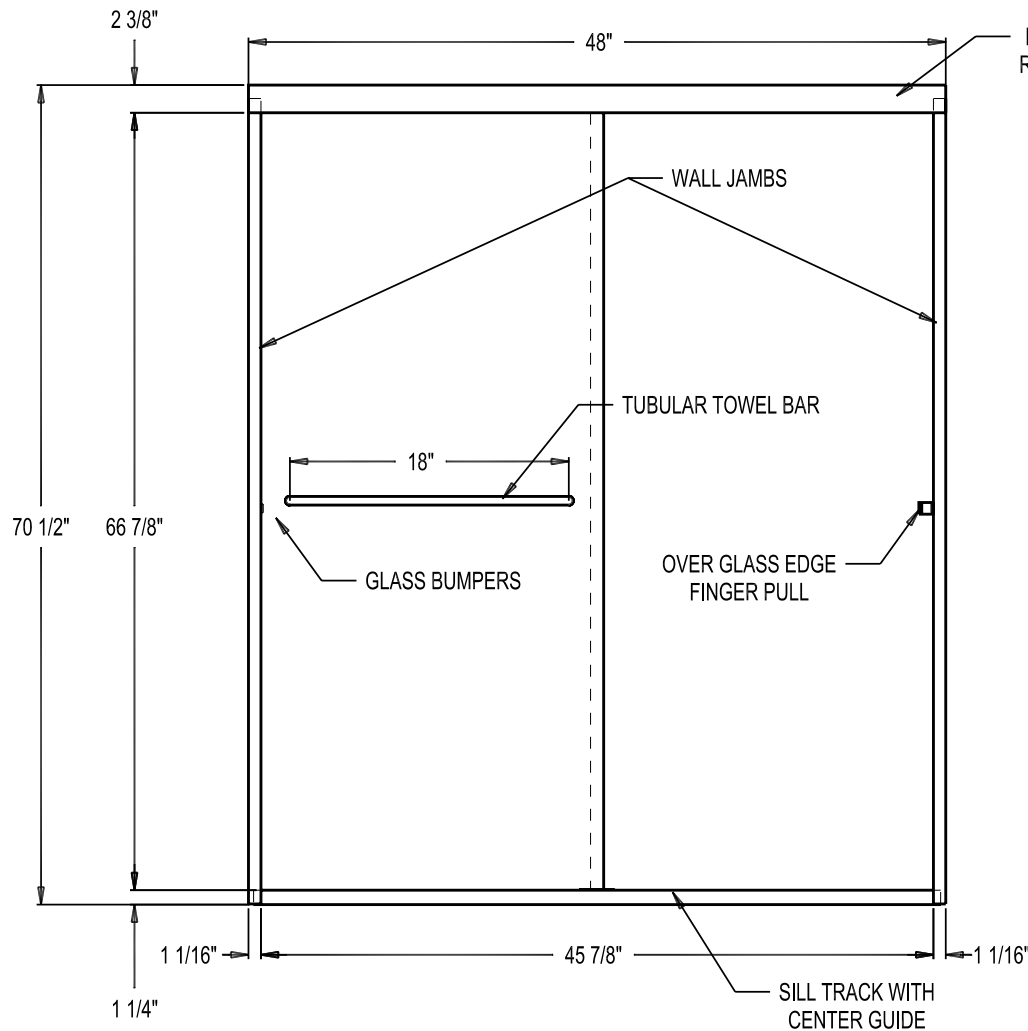


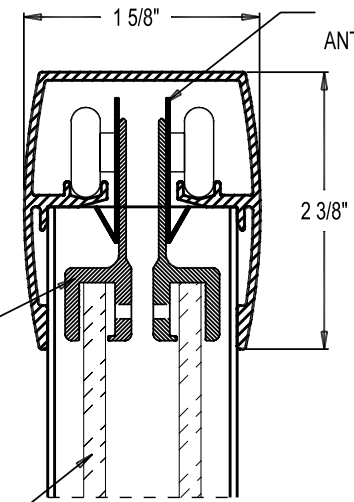
# Crystalline By-Pass Glass Shower Door



**Front Elevation**

HEADER WITH ROLLER TRACK

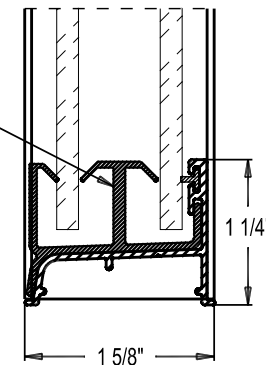
OPTIONAL ANTI-JUMP DEVICE



ROLLER BRACKET  
3 CLAMPING SCREWS

1/4" GLASS PANELS

DUAL DUROMETER  
POLY CARBONATE  
CENTER GUIDE



BASIC CONSTRUCTION: ALUMINUM EXTRUSION AND TEMPERED GLASS

JOB NAME / LOCATION: \_\_\_\_\_

COLOR: \_\_\_\_\_

QUANTITY: \_\_\_\_\_

APPROVED BY: \_\_\_\_\_

DATE: \_\_\_\_\_

