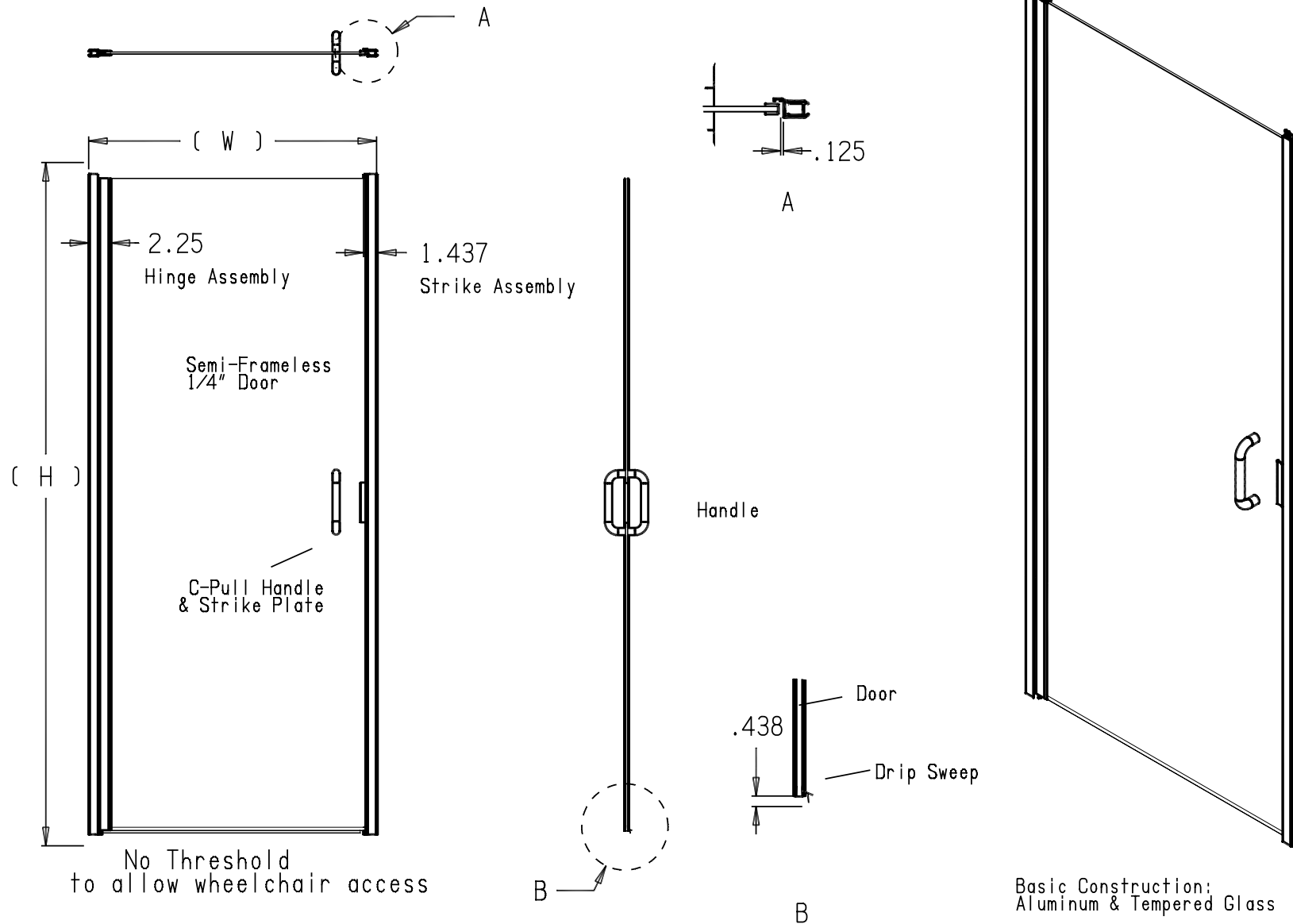


# Crystalline Semi-Frameless Hinge

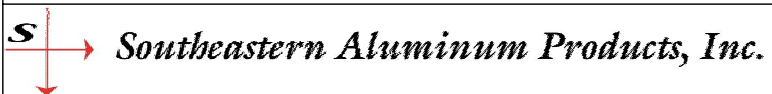


JOB NAME / LOCATION :

COLOR :

QUANTITY :

APPROVED BY : \_\_\_\_\_



Sizes:

Unit Width (W) =

Unit Height (H) =

DATE : \_\_\_\_\_