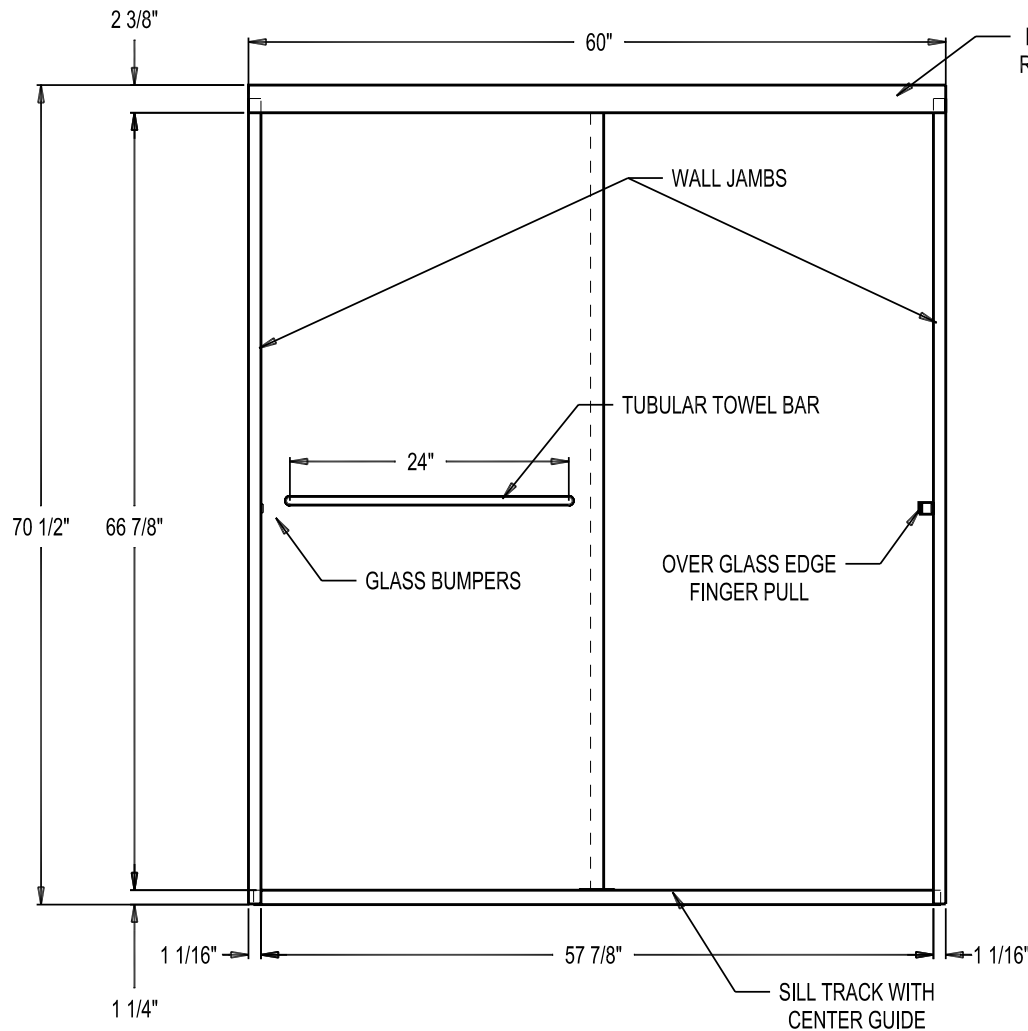


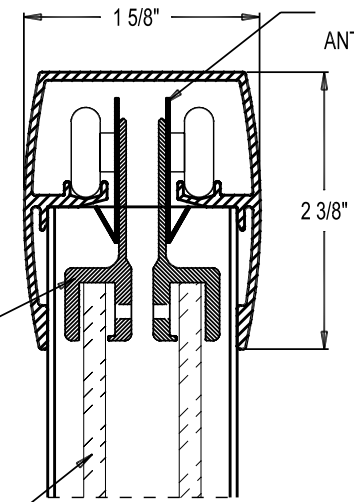
Crystalline By-Pass Glass Shower Door



Front Elevation

HEADER WITH ROLLER TRACK

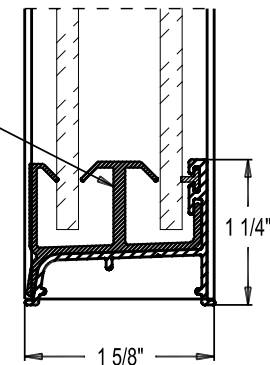
OPTIONAL ANTI-JUMP DEVICE



ROLLER BRACKET
3 CLAMPING SCREWS

1/4" GLASS PANELS

DUAL DUROMETER
POLY CARBONATE
CENTER GUIDE



BASIC CONSTRUCTION: ALUMINUM EXTRUSION AND TEMPERED GLASS

JOB NAME / LOCATION: _____

COLOR: _____

QUANTITY: _____

APPROVED BY: _____

DATE: _____

