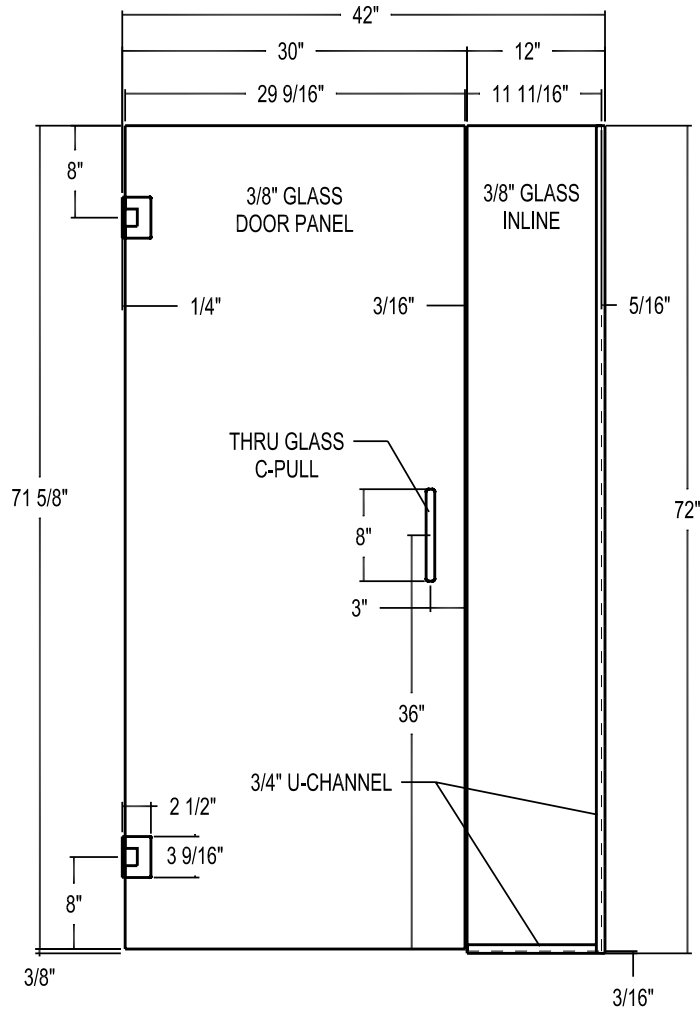
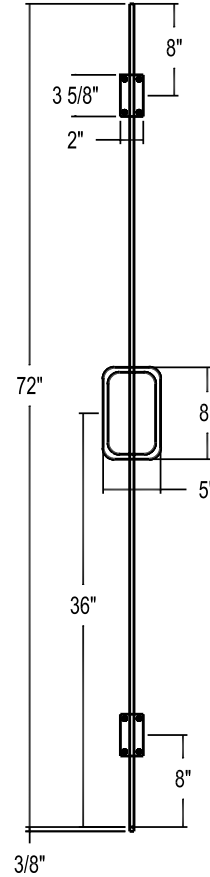


# 100 Series Signature Hinge Door with Inline Panel



**Front Elevation**



**Side Elevation**

BASIC CONSTRUCTION: ALUMINUM EXTRUSION AND TEMPERED GLASS

JOB NAME / LOCATION: A\*\*\*\*\*

COLOR: A\*\*\*\*\*

QUANTITY: A\*\*\*\*\*

APPROVED BY: \_\_\_\_\_

DATE: \_\_\_\_\_

