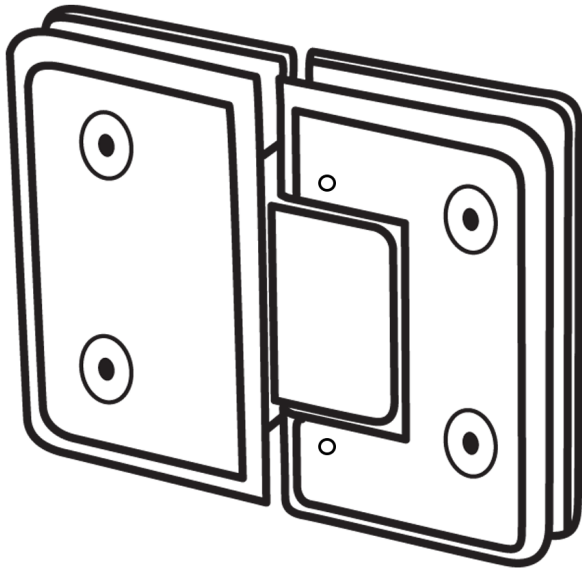


# SIGNATURE SERIES 280A HEAVY DUTY GTG 180° HINGE



## SPECIFICATIONS

For 3/8" (10 mm) and 1/2" (12 mm) glass,

- use two (2) hinges with a maximum weight of 110 lb (50 kg) and a width of 36" (914 mm)
- use three (3) hinges with a maximum weight of 140 lb (63 kg) and a width of 36" (914 mm)

## ASSEMBLY

For 3/8" (10 mm)° glass use one thick rubber on each side

For 1/2" (12 mm) glass use one thin rubber on each side

## CAUTION

Power tools should not be used to compress the hinge on the glass.

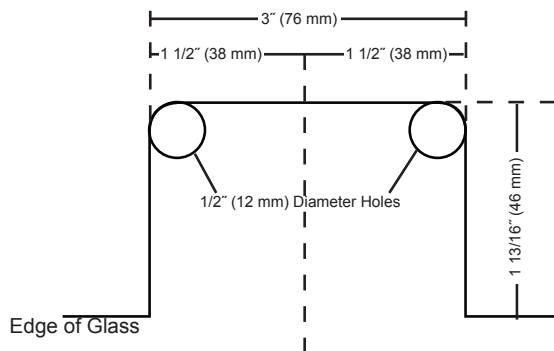


*Maximum Door Capacities	3/8" (10 mm) Glass		1/2" (12 mm) Glass	
	Weight	Width	Weight	Width
Using 2 Hinges	110 lbs. (50 kg)	36" (914 mm)	110 lbs. (50 kg)	36" (914 mm)
Using 3 Hinges	140 lbs. (63 kg)	36" (914 mm)	140 lbs. (63 kg)	36" (914 mm)

\*Note: Do not exceed either maximum weight or width when choosing proper quantity of hinges.

# SIGNATURE SERIES 280A HEAVY DUTY GTG 180° HINGE

Rectangular  
Cut-Out Option



**IMPORTANT:**  
Project measurements from  
the edge of the glass

Mouse Ear  
Cut-Out Option

