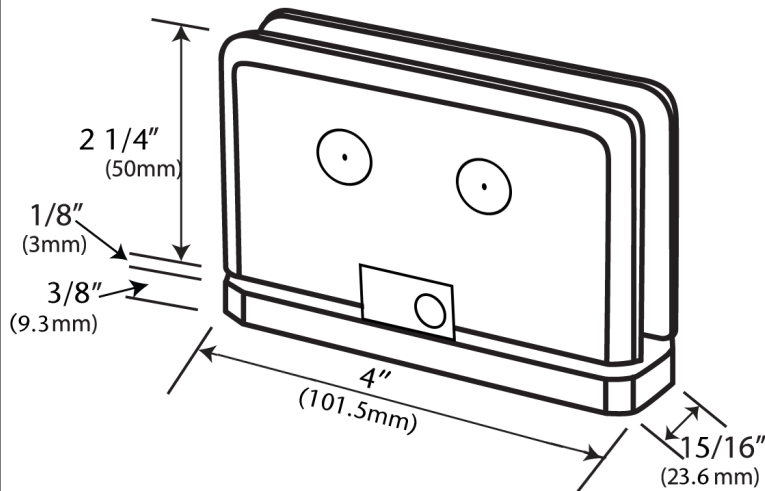


SIGNATURE SERIES 600A PIVOT HINGE



SPECIFICATIONS

GLASS SIZES

5/16" (8 mm) to 3/8" (10 mm) tempered safety glass

CONSTRUCTION

Solid Brass

CLOSING TYPE

Self-centering within 15° of closed position

CUTOUT REQUIRED

INCLUDES

Gaskets, screws and template

NOTE:

Do not exceed either maximum weight or width when choosing proper quantity of hinges.



*Maximum Door Capacities	5/16" (8 mm) Glass		3/8" (10 mm) Glass	
	Weight	Width	Weight	Width
Using 2 Hinges	100 lbs. (46 kg)	31" (787 mm)	100 lbs. (46 kg)	31" (787 mm)

SIGNATURE SERIES 600A PIVOT HINGE

IMPORTANT:
Project measurements from the edge of the glass.

ALWAYS USE DIMENSIONS



TO ENSURE ACCURACY

