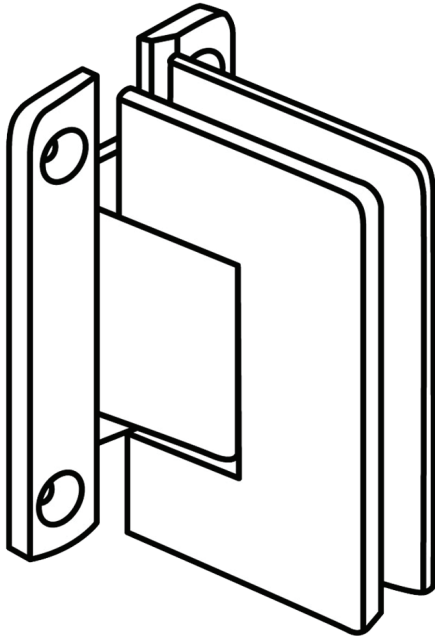


SIGNATURE SERIES 100 STANDARD GTW H-BACK HINGE



SPECIFICATIONS

For 3/8" (10 mm) and 1/2" (12 mm) glass,

- use two (2) hinges with a maximum weight of 80 lb (36 kg) and a width of 28" (711 mm)
- use three (3) hinges with a maximum weight of 120 lb (55 kg) and a width of 32" (813 mm)

ASSEMBLY

For 3/8" (10 mm) glass use one thick rubber on each side

For 1/2" (12 mm) glass use one thin rubber on each side

CAUTION

Power tools should not be used to compress the hinge on the glass.

*Maximum Door Capacities	3/8" (10 mm) Glass		1/2" (12 mm) Glass	
	Weight	Width	Weight	Width
Using 2 Hinges	80 lbs. (36 kg)	28" (711 mm)	80 lbs. (36 kg)	28" (711 mm)
Using 3 Hinges	120 lbs. (55 kg)	32" (813 mm)	120 lbs. (55 kg)	32" (813 mm)

SIGNATURE SERIES 100 STANDARD GTW H-BACK HINGE

