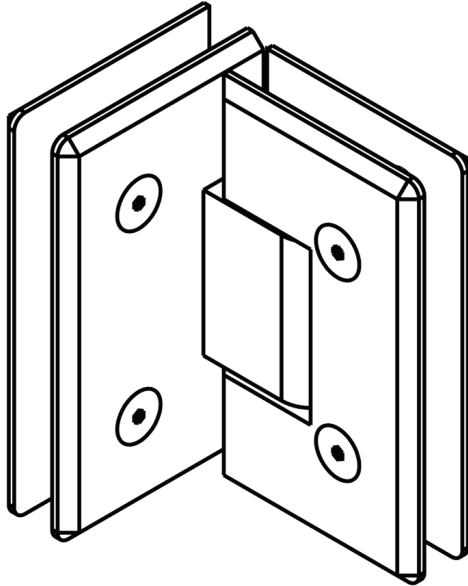


SIGNATURE SERIES 290 HEAVY DUTY GTG 90° HINGE



SPECIFICATIONS

For 3/8" (10 mm) and 1/2" (12 mm) glass,

- use two (2) hinges with a maximum weight of 110 lb (50 kg) and a width of 36" (914 mm)
- use three (3) hinges with a maximum weight of 140 lb (63 kg) and a width of 36" (914 mm)

ASSEMBLY

For 3/8" (10 mm)° glass use one thick rubber on each side

For 1/2" (12 mm) glass use one thin rubber on each side

CAUTION

Power tools should not be used to compress the hinge on the glass.



*Maximum Door Capacities	3/8" (10 mm) Glass		1/2" (12 mm) Glass	
	Weight	Width	Weight	Width
Using 2 Hinges	110 lbs. (50 kg)	36" (914 mm)	110 lbs. (50 kg)	36" (914 mm)
Using 3 Hinges	140 lbs. (63 kg)	36" (914 mm)	140 lbs. (63 kg)	36" (914 mm)

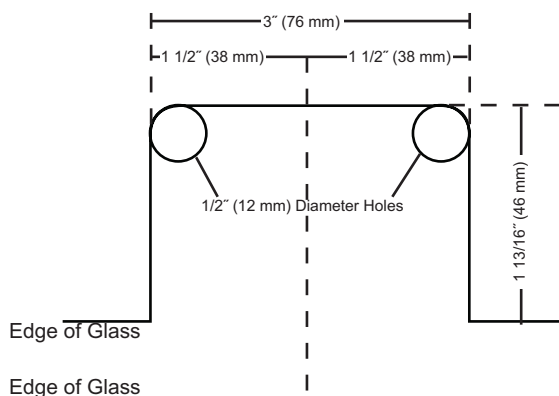
*Note: Do not exceed either maximum weight or width when choosing proper quantity of hinges.

SIGNATURE SERIES 290 HEAVY DUTY GTG 90° HINGE

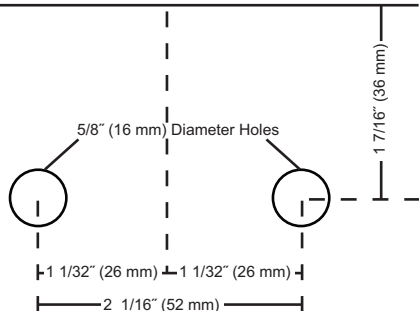
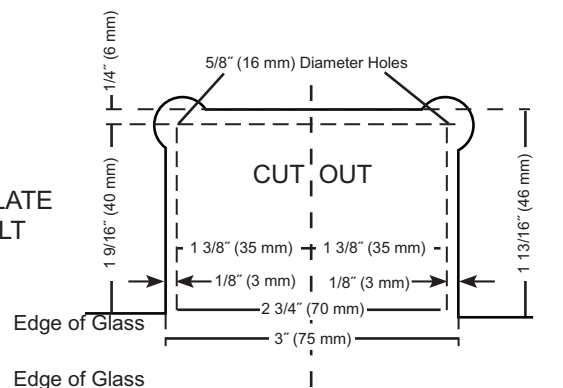
Rectangular Cut-Out Option

IMPORTANT:
Project measurements from the edge of the glass

Mouse Ear Cut-Out Option



DOOR TEMPLATE
SQUARE CLT



FIXED PANEL
TEMPLATE

